

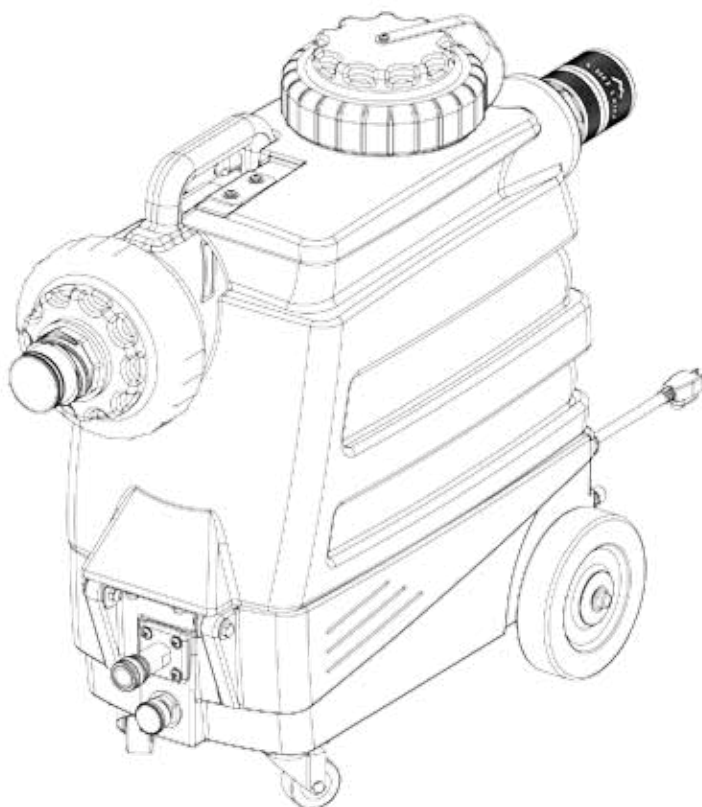
Instructions for 7303 Air Hog™



Please read before use.



Register your product
at <http://www.mytee.com/support/register>



Set up p. 3
General information p. 9
Parts & pricing p. 12
Wiring diagram p. 14
Notes p. 15

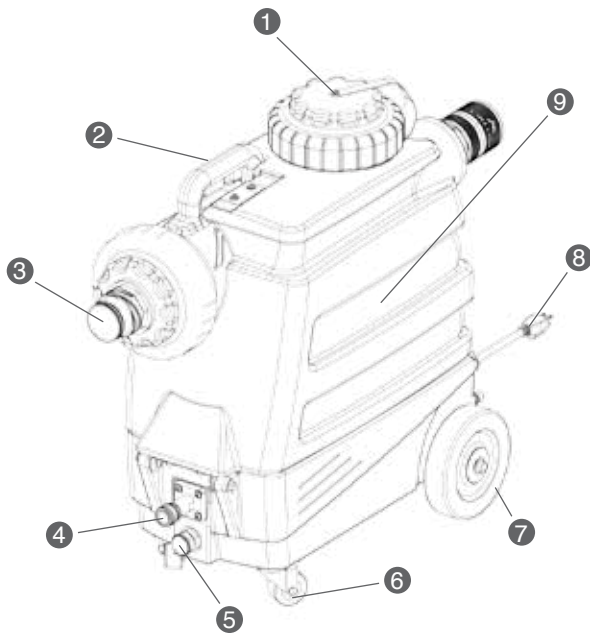
Model # _____

Serial # _____

Form # ADM-7303

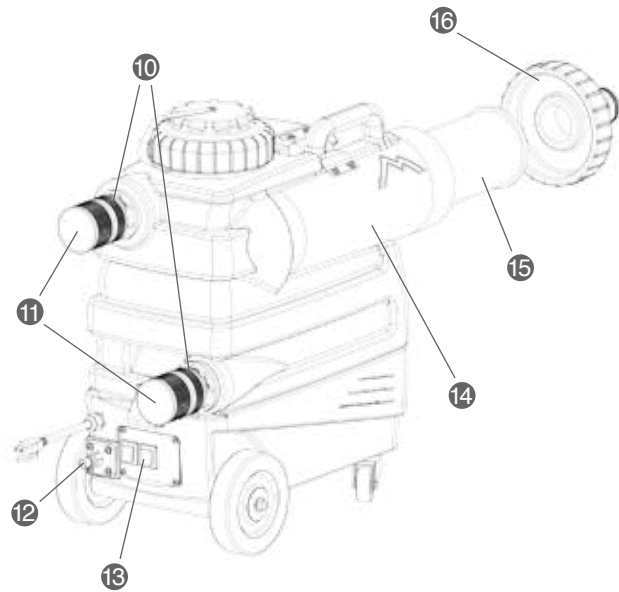
3-13

FRONT



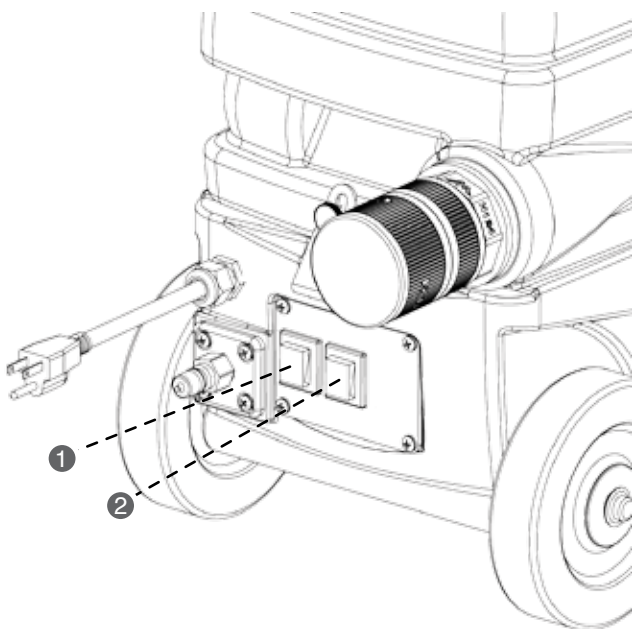
- 1. 6" Cap with tether
- 2. Handle
- 3. 2" Male Cuff-Lynx™ starter
- 4. Female quick disconnect [QD]
- 5. Pump-Out
- 6. 2" Casters
- 7. 6" Wheels
- 8. 25' Power cord
- 9. Vac tank

BACK



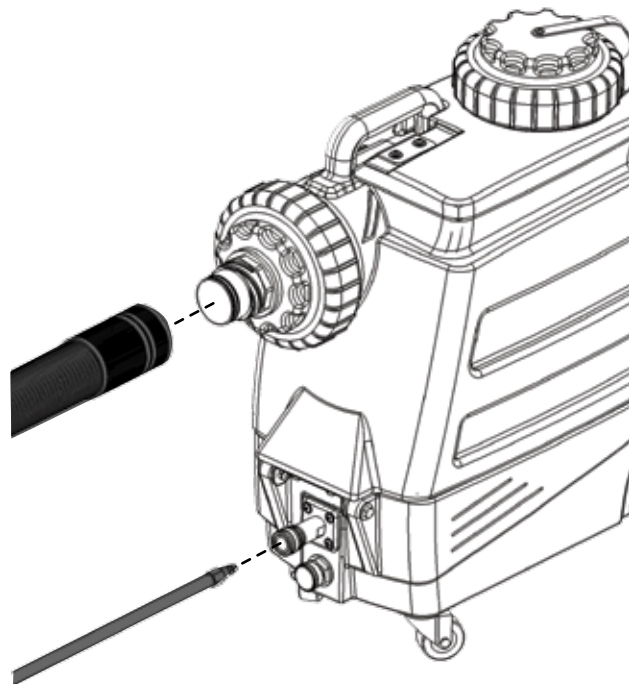
- 10. 2" Female Cuff-Lynx™ starter
- 11. 2" Male Cuff-Lynx™ plug
- 12. Male quick disconnect [QD]
- 13. Switches
- 14. Filter housing
- 15. Filter
- 16. Filter cap

SWITCHES



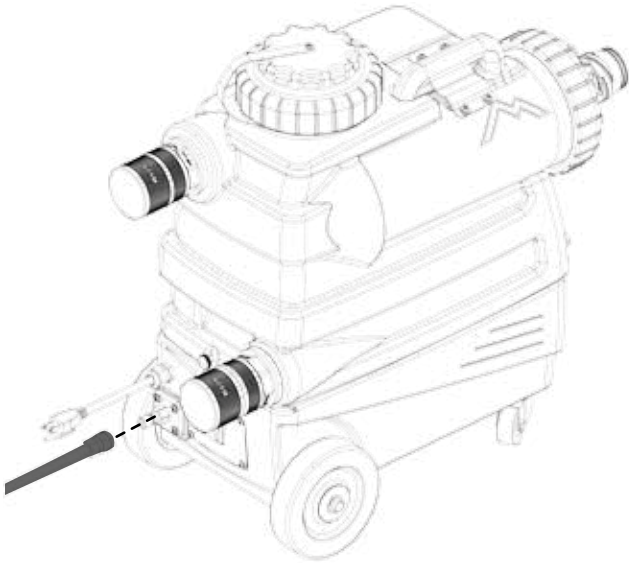
Located in the rear of the machine, the vacuum switch (1) and the pump-out switch (2) both turn on the power. **Use the vacuum switch at all times while using the machine. Turn on the pump switch when using the auto pump-out feature.**

VAC/SOL HOSE CONNECTIONS



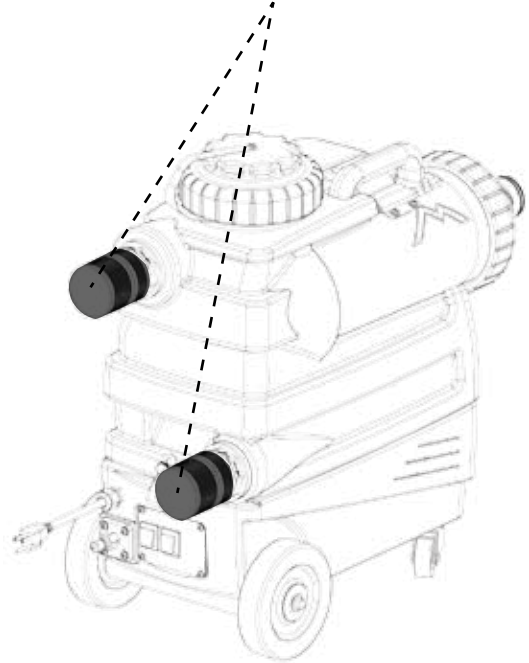
A vacuum hose attaches to the Lint Hog™ vacuum port in the front of the machine, using its male Cuff-Lynx™ connection. A solution hose attaches to the front QD. You will need a Cuff-Lynx™ coupler or reducer to attach the vacuum hose to the Air Hog.™

HIGH OR LOW-PRESSURE ATTACHMENT



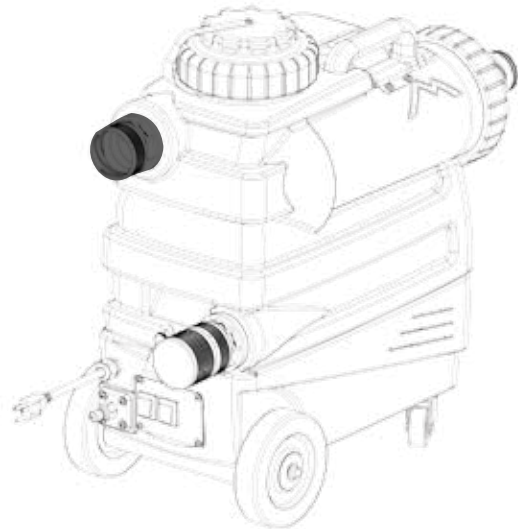
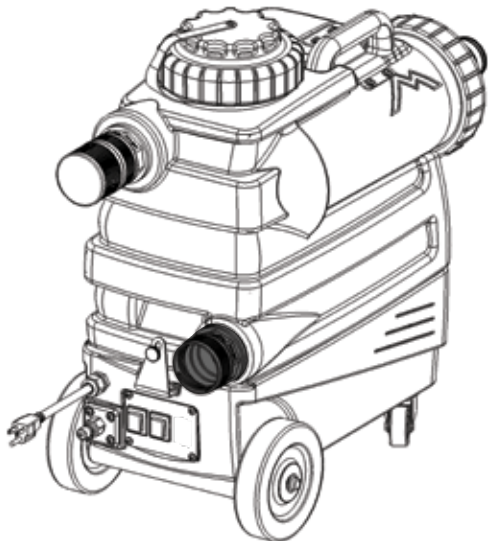
For low-pressure water flow, attach a garden hose with faucet connection to the QD in the back. For high-pressure cleaning, attach a Mytee® Water Hog™ to the back QD.

VACUUM PLUGS

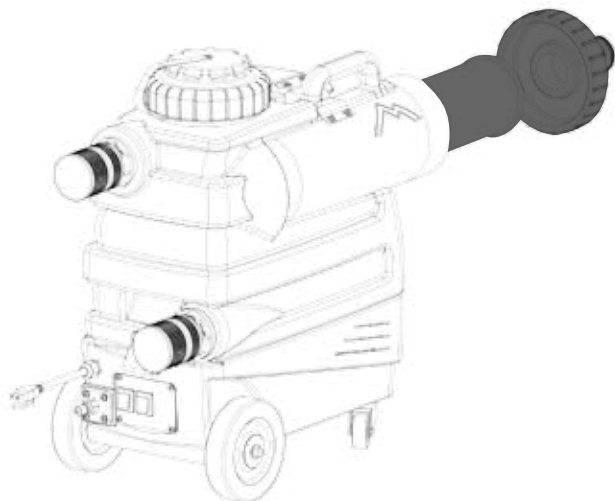


Two vacuum plugs are located in the back.

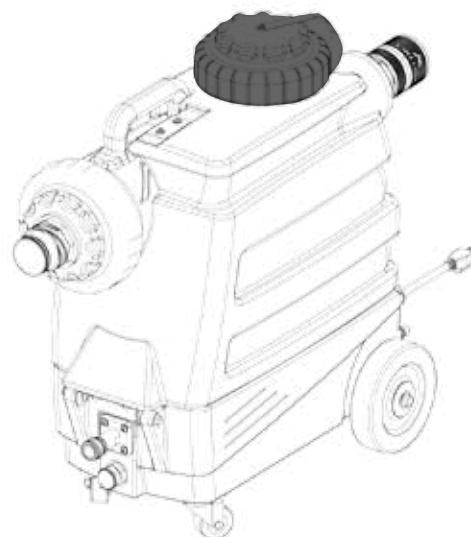
REAR PLUGS



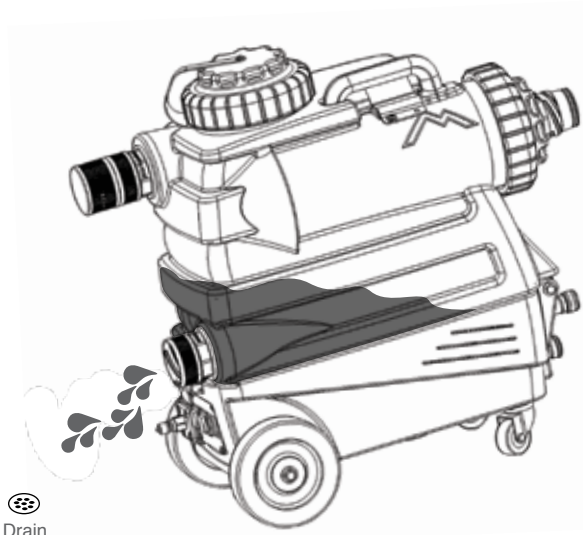
The top and bottom rear plugs, depending on how they are capped, allow the Air Hog™ to be used as a stand-alone extractor, a flow-through booster connected to another machine, or an in-line pump-out unit. They also seal the Air Hog™ vacuum tank.

REMOVAL AND CLEANING OF LINT HOG™ FILTER

To clean the exterior Lint Hog™, twist off the cap and remove the stainless steel mesh filter. To clean, rinse with water. Do not strike unit against hard surface to remove debris. Damage may result.

TOP CAP

The top cap twists off for access to vacuum tank, internal pump-out filter and ball float stack.

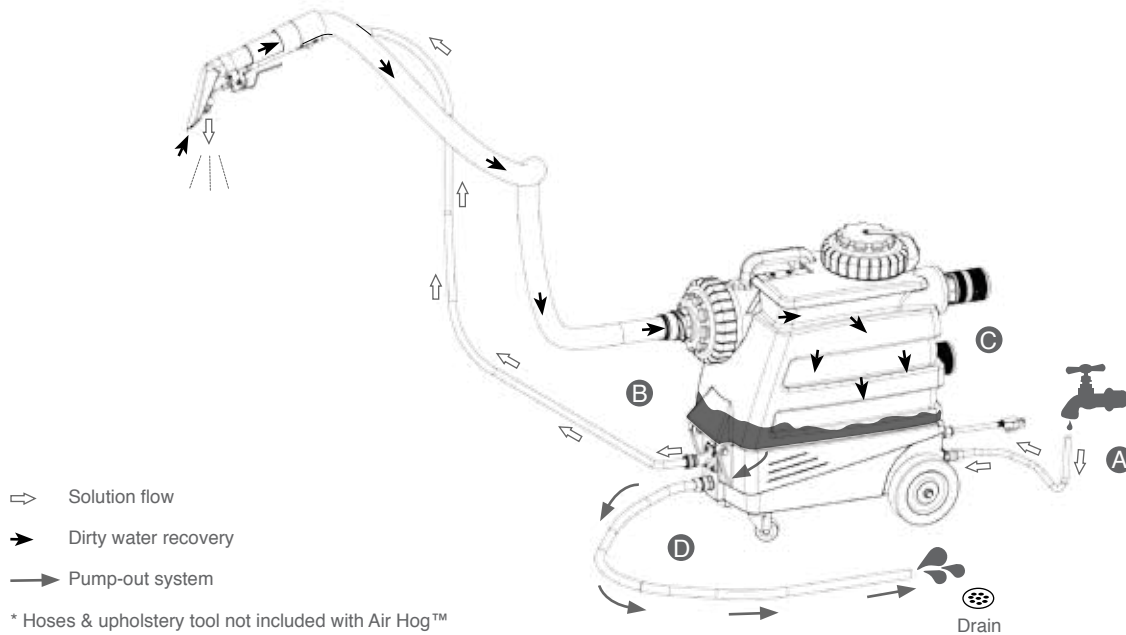
EMPTY TANK

To empty the tank. Unscrew bottom rear plug and tilt Air Hog™.

OPTIONAL AUTO PUMP-OUT

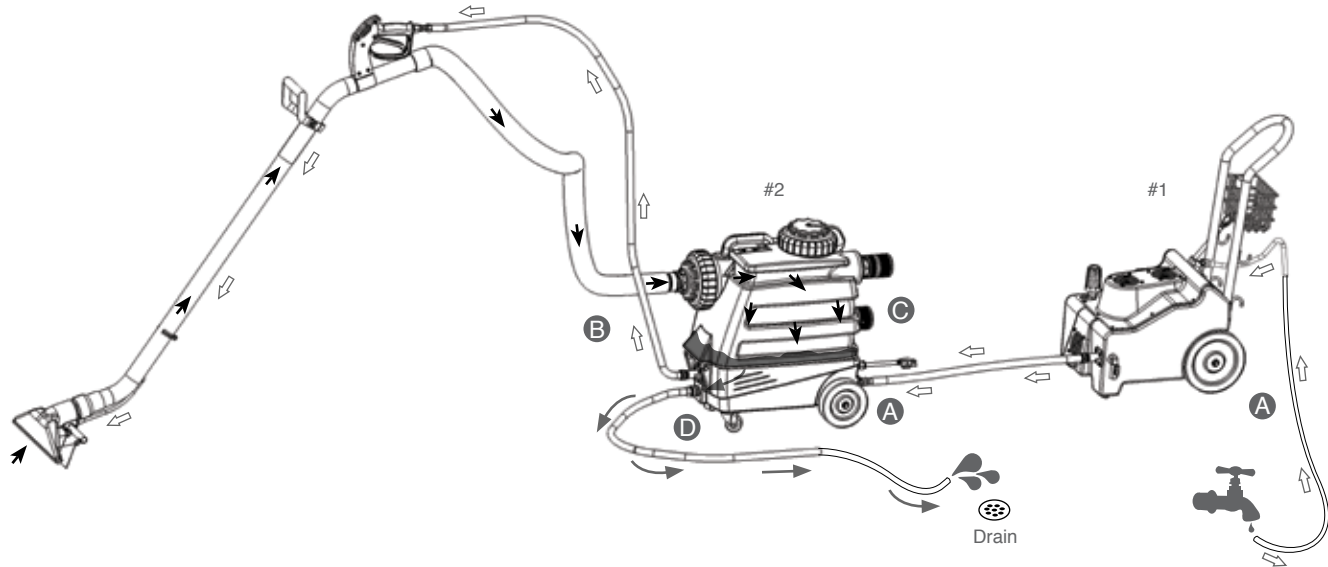
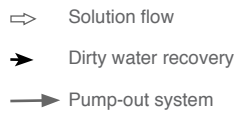
Attach a garden hose to the front hose inlet to pump dirty water from the tank. When you are ready to work, turn on the pump switch located on the lower back of the machine. When the auto pump-out is not in use, make sure the cap is on and securely tightened to prevent leaks.

1. USING THE AIR HOG™ AS A STAND-ALONE LOW-PRESSURE EXTRACTOR



A. Connect one end of a garden hose to a faucet, the other end to the back male QD. **B.** Connect vacuum and solution hoses to the Air Hog's™ front vacuum port and QD, and to an accessory such as an upholstery tool. **C.** Cap both rear vacuum plugs. **D.** Let the tank fill until water is stopped by the ball float stack or use the optional pump-out feature by attaching a garden hose to the front hose inlet. Dirty water will automatically be pumped out. When the auto pump-out is not in use, make sure the cap is on and securely tightened to prevent leaks.

2. USING THE AIR HOG™ AS A STAND-ALONE HIGH-PRESSURE EXTRACTOR

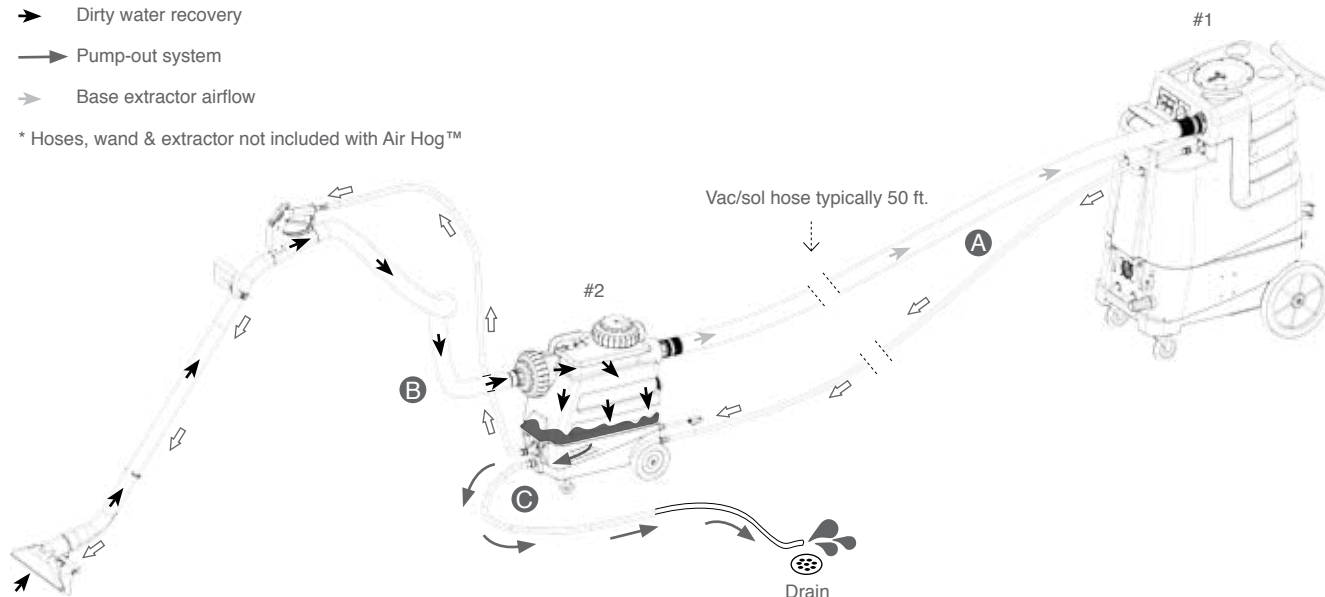


A. Connect the Mytee® Water Hog™ (#1) to the back QD and a water source such as faucet. **B.** Connect solution and vacuum hoses from an attachment such as a wand to the front of the Air Hog™ (#2). **C.** Cap both rear vacuum plugs. **D.** Use the optional pump-out by attaching a garden hose to the front hose inlet and turning the pump switch on, or let the tank fill. When the auto pump-out is not in use, make sure the cap is on and securely tightened to prevent leaks. Water will rise until the ball float stack stops it. Empty tank by removing bottom rear vacuum plug.

3. USING THE AIR HOG™ AS A BOOSTER WITH AUTO PUMP-OUT

- ⇨ Solution flow
- ➔ Dirty water recovery
- ➔ Pump-out system
- ➔ Base extractor airflow

* Hoses, wand & extractor not included with Air Hog™

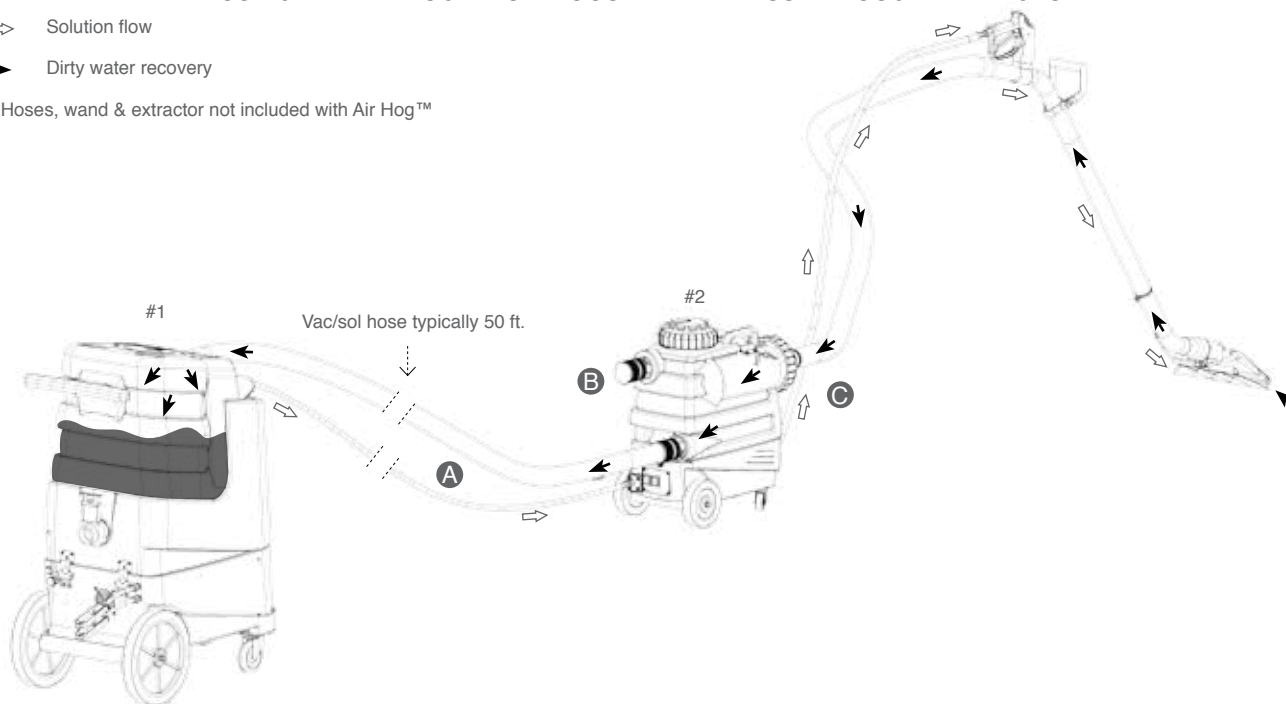


The optional pump-out can be used in conjunction with a second, larger extractor (#1), which will be used as a clean water source. **A.** Connect a vacuum and solution hose to the larger extractor (#1) and the Air Hog's™ (#2) rear top plug and QD. Keep the bottom rear vacuum plug capped. **B.** Attach the wand's solution and vacuum hoses to the Air Hog's™ front vacuum port and QD. **C.** Connect a garden hose to the front hose inlet. Turn on the pump-out switch. Dirty water will be automatically pumped out of the machine.

4. USING THE AIR HOG™ AS A BOOSTER AND PASS-THROUGH EXTRACTOR

- ⇨ Solution flow
- ➔ Dirty water recovery

* Hoses, wand & extractor not included with Air Hog™

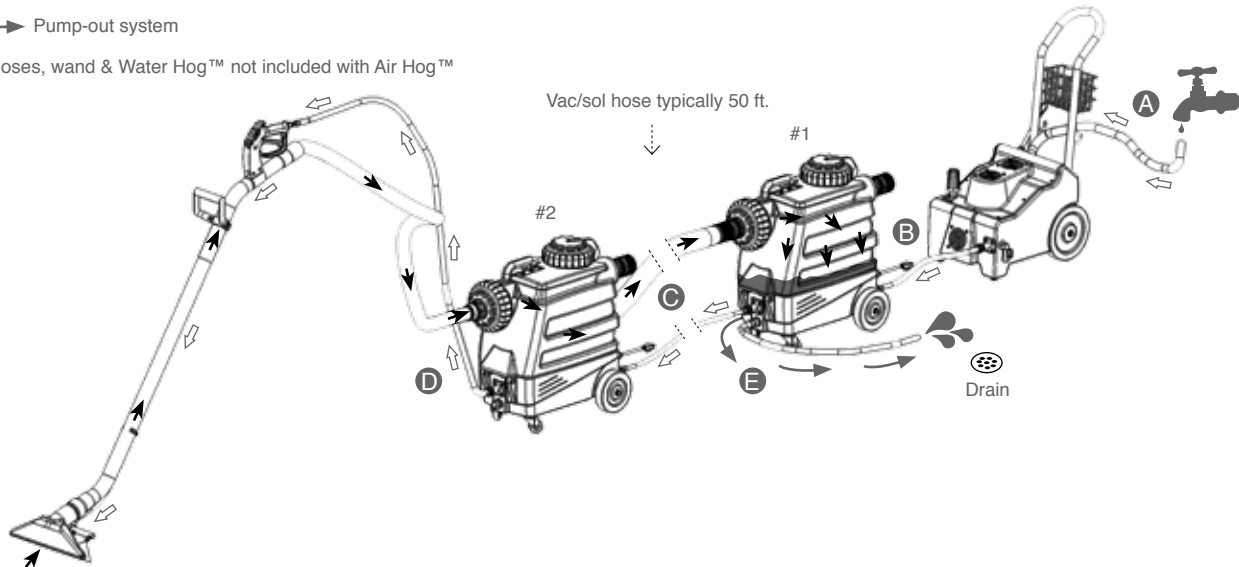


The Air Hog™ (#2) can be used as a pass-through extractor and to boost the airflow of a second, larger extractor (#1) by increasing its CFM by 115. **A.** To do this and use the larger extractor (#1) as a fresh water source and recovery tank, connect a vacuum and solution hose to the larger extractor and the Air Hog's™ (#2) rear bottom plug and QD. **B.** Keep the top rear plug capped. **C.** To use a wand, attach the wand's solution and vacuum hoses to the front of the Air Hog™. Clean water will travel from the larger extractor through the Air Hog™ to the cleaning surface, and dirty water will be drawn through the Air Hog™ into the main extractor's recovery tank.

5. USE THE AIR HOG™ AS A “DAISY CHAIN” WITH AUTO PUMP-OUT FEATURE

- ⇨ Solution flow
- ➔ Dirty water recovery
- ➔ Pump-out system

* Hoses, wand & Water Hog™ not included with Air Hog™

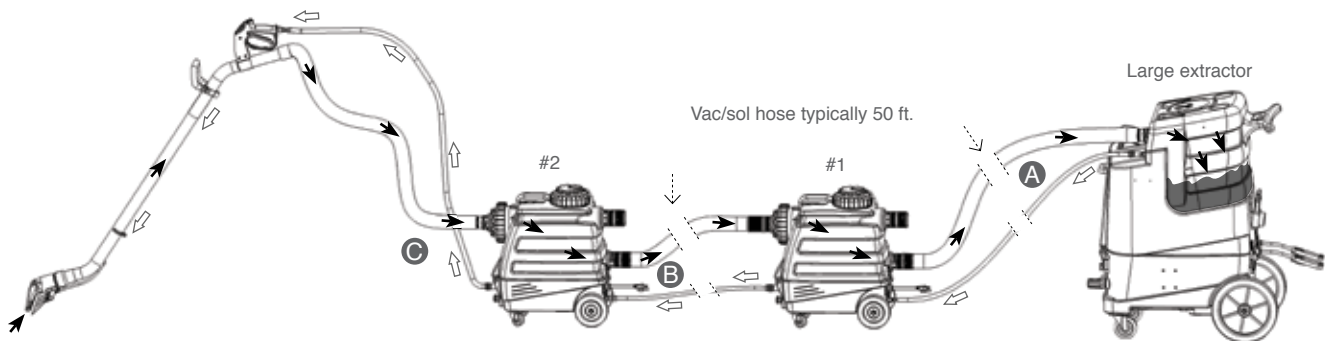


Air Hogs™ (#1 & #2) can be connected by hoses as a “daisy chain”. Each unit will increase the total CFM by 115. **A.** To connect two Air Hogs™ to a wand, connect one end of a garden hose to a faucet, the other end to a Water Hog™. **B.** Using a female QD, attach the other end to the first Air Hog’s™ rear male QD. **C.** Add a second Air Hog™ to the daisy chain by attaching a solution hose from the front QD of the first unit to the rear QD of the second. Connect a vacuum hose from the front vacuum port of the first machine to the bottom rear vacuum port of the second. **D.** Attach the wand’s solution and vacuum hoses to the front vacuum port and QD of the second Air Hog™. **E.** Attach a garden hose to the front hose inlet to the first Air Hog™. Turn on the pump switch to the first Air Hog™. Dirty water will be pumped out of the machine.

6. CREATE A “DAISY CHAIN” USING TWO BOOSTERS AND A LARGER EXTRACTOR

- ⇨ Solution flow
- ➔ Dirty water recovery

* Hoses, wand & extractor not included with Air Hog™



A. To do this and use the larger extractor as a fresh water source and recovery tank, connect vacuum and solution hoses to the larger extractor and the Air Hog’s™ (#1) rear bottom plug and QD. **B.** Add an additional Air Hog™ (#2) to the daisy chain by attaching a solution hose from the front QD of the first unit to the rear QD of the second. **C.** Connect a vacuum hose from the front vacuum port of the first machine to the bottom rear vacuum port of the second. **D.** To attach a wand, connect solution and vacuum hoses to the front vacuum port and QD of the second Air Hog™. Clean water will travel from the larger extractor through the boosters to the cleaning surface, and dirty water will be drawn into the larger extractor’s recovery tank.

Dear Customer:

Congratulations on the purchase of your new 7303 Air Hog™. As you are already aware, the scene of the equipment world is becoming more high tech, and we at Mytee Products Inc. strive to keep you on the cutting edge with superior quality and technology.

Keep in mind that the Air Hog™ is a machine, so neglect or abuse will cause unnecessary damage and void the warranty. However with simple maintenance the 7303 Air Hog™ will give quality performance for many years to come.

If warranty questions arise, please consult user manual or get in touch with your distributor. If you have questions about maintenance, replacing parts or ordering parts, please call an authorized Mytee Products Inc. Service Center. To see an updated list, visit our website at www.mytee.com

Before you begin using, please read your manual thoroughly.

Sincerely,
Mytee Customer Care Dept.

Grounding Instructions

This machine must be grounded. If it should malfunction or breakdown, grounding provides a path of least resistance for electrical shock. This machine is equipped with a cord having an equipment-grounding conductor and grounding plug. The plug must be plugged into an appropriate outlet that is properly installed in accordance with all local code and ordinances. Do not remove ground pin; if missing, replace plug before use.



DANGER

Improper connection of the equipment-grounding conductor can result in a risk of electric shock. Check with a qualified electrician or service person if you are in doubt as to whether the outlet is properly grounded. Do not modify the plug provided with the machine. If it will not fit the outlet, have a proper outlet installed by a qualified electrician.

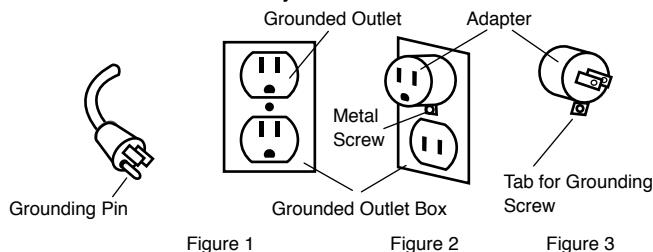
This appliance is for use on a nominal 120-volt circuit, and has a grounding plug that looks like the plug illustrated in Figure 1 below. A temporary adapter illustrated in Figures 2 and 3 may be used to connect this plug to a 2-pole receptacle as shown in Figure 2 if a properly grounded outlet is not available. The temporary adapter should be used only until a properly grounded outlet (Figure 1) can be installed by a qualified electrician. The green colored rigid ear, tab or the like extending from the adapter must be connected to a permanent ground such as a properly grounded outlet box cover. Whenever the adapter is used, it must be held in place by a metal screw. Grounding adapters are not approved for use in Canada.

Replace the plug if the grounding pin is damaged or broken.

The Green (or GreenYellow) wire in the cord is the grounding wire. When replacing a plug, this wire must be attached to the grounding pin only.

DO NOT use extension cords.

Please Note for America use only



Parts and Service

Repairs, when required, should be performed by Mytee service personnel or Mytee authorized Service Center using Mytee original replacement parts and accessories. Call Mytee for repair parts or service. Please specify the Model and Serial Number when discussing your machine.

Name Plate

The Model and Serial Number of your machine are shown on the name plate located on the inside of the machine. This information is needed when ordering repair parts for the machine. Use the space provided on the front cover to note the Model and Serial Number of your machine for future reference.

Unpacking the Machine

When the machine is delivered, carefully inspect the shipping carton and the machine for damage. If damage is evident, save the shipping carton so that it can be inspected by the carrier that delivered it. Contact the carrier immediately to file a freight damage claim.

Caution and Warnings

Symbols

Mytee uses the symbols below to signal potentially dangerous conditions. Always read this information carefully and take the necessary steps to protect personnel and property.



DANGER

Is used to warn of immediate hazards that will cause severe personal injury or death.



WARNING

Is used to call attention to a situation that could cause severe personal injury.



CAUTION

Is used to call attention to a situation that could cause minor personal injury or damage to the machine or other property. When using an electrical appliance, basic precautions should always be followed, including the following: Read all instructions before using this machine. This product is intended for commercial use only.



WARNING

To reduce the risk of fire, electrical shock, or injury:

1. Read all instructions before using equipment.
2. Use only as described in this manual. Use only manufacturer's recommended attachments.
3. Always unplug power cord from electrical outlet before attempting any adjustments or repairs.
4. Do not unplug by pulling on cord. To unplug, grasp the plug, not the cord.
5. Do not pull or carry by cord. Do not close a door on cord or pull cord around sharp edges or corners.
6. Do not run appliance over cord. Keep cord away from heated surfaces.
7. Do not use with damaged cord or plug. If cord is damaged, repair immediately.
8. Do not use outdoors or on wet surfaces and or standing water.
9. Always unplug or disconnect the appliance from power supply when not in use.
10. Do not allow to be used as a toy. Close attention is necessary when used by or near children.
11. Do not use in areas where flammable or combustible material may be present.
12. Do not leave the unit exposed to harsh weather elements. Temperatures below freezing may damage components and void warranty.
13. Use only the appropriate handles to move and lift unit. Do not use any other parts of this machine for this purpose.
14. Keep hair, loose clothing, fingers, and all parts of the body away from all openings and moving parts.
15. Use extra care when using on stairs.
16. To reduce the risk of fire or electric shock, do not use this machine with a solid-state speed control device.
17. The voltage and frequency indicated on the name plate must correspond to the wall receptacle supply voltage.
18. When cleaning and servicing the machine, local or national regulations may apply to the safe disposal of liquids which may contain: chemicals, grease, oil, acid, alkalines, or other dangerous liquids.
19. Do not leave operating unattended.

Pre-Operation

1. Remove furniture and other items from the area you are going to clean.
2. Vacuum area and remove debris.
3. Protect cabinets, walls and painted surfaces with drop cloths or plastic.
4. Inspect power cord for damage.

Operating Instructions

1. Plug into an 8-amp, grounded circuit.
2. When using the vacuum, turn on the vacuum switch.
3. When using the pump, turn on the pump switch.
4. When using a wand or other vacuum attachment, or using the Air Hog™ as a standalone extractor, connect the vacuum hose to the front vacuum port in the on-board Lint Hog™ filter. A Mytee Cuff-Lynx™ coupler or reducer will be needed.
5. Connect the vacuum attachment's solution hose to the front female QD.
6. When using the auto pump-out, attach a garden hose to the front hose inlet.

GENERAL INFORMATION

7. If auto pump-out is not used, let tank fill until ball float stack stops tank from filling. Empty tank.
8. When using with other machines, connect vacuum hose to one of two back vacuum ports, and solution hose to back male QD.

After Use

1. Unplug.
2. Empty solution tank, if needed, rinse with clean water and dry.
3. Clean internal filter. Unscrew lid on top of tank and remove. Reach into tank and twist off using a counter-clockwise motion. Rinse and dry, replace and close lid.
4. Clean external Lint Hog™ filter on top of tank. Twist off housing lid. Remove stainless steel filter. Rinse to clean, dry and replace. Note: Do not strike unit against hard surface to remove debris. Damage may result.
5. Store in a clean, dry place.

Maintenance Schedule

Maintenance item	Daily	Once a week
Clean and inspect tank.	x	
Check power cord.	x	
Clean with all-purpose cleaner and cloth.	x	
Flush with Mytee® System Maintainer to dissolve normal chemical build-up.		x
Clean with compressed air.		x
Remove float shut-off unit from inside of tank to clean (simply pull off).		x
Inspect for water leaks and loose hardware.		x

Trouble Shooting

There is no power.

1. Make sure the machine is plugged into the proper outlet.
2. Check the circuit breaker and reset. Other items should not run on the same circuit as the machine. The outlet circuit must be a minimum of 8-amps.
3. Check switch. If it is damaged, replace with OEM part.
4. Replace or repair loose wires.
5. Replace motor if damaged.

Pump-out does not work properly.

1. If filters are clogged, remove and rinse with clean water.
2. Check pump-out wiring. It may need to be reconnected.
3. Check pump-out switch, it may need to be replaced with OEM part.

Vacuum motor does not work properly.

1. Check to see that all vacuum hoses are tightly connected.
2. Check vacuum port cap in back to make sure it is tightened.
3. Insure vacuum lid is tightened.
4. Make sure ball float is firmly installed on the elbow.
5. If ball float is shut off, empty tank of all water.

Water is leaking.

1. If water is coming out of the recovery tank, use a low foaming detergent.
2. Check to make sure debris has not been sucked through ball float stack into the motor. Pre-vacuuming prevents this situation.
3. If a vacuum hose is leaking, make sure Cuff-Lynx™ and Lint Hog™ are securely tightened.
4. Check hose fittings.
5. Insure all brass fittings are tightened.

FAQs

Q – What does the Air Hog™ weigh and what are the dimensions?

A – Weight is 46 lbs. and dimensions are 29.5" x 12.5" x 24.5".

Q – What comes standard with the Air Hog™?

A – Lint Hog™ external debris filter, internal stainless steel filter, built-in Cuff-Lynx™ hose connections, float shut-off valve, 25' power cord, roto-molded polyethylene body, 6" non-marking wheels, 2" non-marking casters. Also includes the following additional Cuff-Lynx™ hose connections:

- Part No. H136 – 2" male swivel coupler, connects to 2" female vacuum hose.
- Part No. H141 – 2" female reducer, connects to 1 ½" female vacuum hose.
- Part No. H110 – 2" female swivel coupler, connects to 2" female vacuum hose.

Q – Where do I plug in the machine?

A – A grounded circuit is required.

Q – What machines are recommended for use with the Air Hog™?

A – The Air Hog™ can be used to boost the CFM of any extractor with a dual 2-stage, or single 3-stage or higher vacuum motor, including Mytee's® M-Series™,

HP, Contractor's Special™, Speedster®, Breeze™ and RL Breeze™ models. Can also be used with Mytee's® 4000 Water Hog™ for increased water lift.

Warranty

MYTEE LIFETIME LIMITED WARRANTY POLICY

Mytee Products, Inc. endeavors to provide high quality products and product support to its customers and therefore backs up all of its new products purchased from Mytee Products Inc. ("Mytee") or any authorized Mytee distributor/service center with this lifetime limited warranty. This limited warranty begins on the date of the customer's purchase and is valid and available to the original purchaser with proof of purchase, and is not transferable. Mytee's products are for commercial use only and are not intended for personal, family or household uses.

HOUSING LIMITED LIFETIME WARRANTY: Mytee warrants for life that its rotationally-molded housings will be free from manufacturing defects. This warranty covers the cost of replacement or repair only and does not cover shipping or labor costs.

WEAR PARTS 90-DAY LIMITED WARRANTY: Mytee will replace all wear parts for 90 days from the date of original purchase. "Wear parts" are items which wear out as a result of usage or the passage of time and are consumed despite attempts to maintain them, such as gaskets, wheels, brass, cords, wires, electrical terminals, hoses, switches, thermostats, plastisol parts, filters, bearings, brushes, solenoids, o-rings, bulbs, heating elements, castors, or other parts deemed wear items in Mytee's sole discretion. This warranty covers the cost of replacement only and does not cover shipping or labor costs.

HOWEVER, OTHER THAN SET FORTH HEREIN, MYTEE GIVES NO WARRANTY, EXPRESS OR IMPLIED, AS TO DESCRIPTION, QUALITY, MERCHANTABILITY, FITNESS FOR ANY PARTICULAR PURPOSE, PRODUCTIVENESS, INFRINGEMENT, OR OTHER MATTER, OF ANY GOODS WHICH MYTEE SHALL SUPPLY. THERE ARE NO WARRANTIES WHICH EXTEND BEYOND THE DESCRIPTION ON THE FACE HEREOF. MYTEE SHALL IN NO WAY BE RESPONSIBLE FOR THE PROPER USE AND APPLICATION OF THE GOODS. MYTEE NEITHER ASSUMES NOR AUTHORIZES ANY OTHER PERSON TO ASSUME FOR MYTEE ANY OTHER LIABILITY IN CONNECTION WITH THE SALE OF MYTEE'S GOODS. THIS LIMITED WARRANTY POLICY MAY BE CHANGED OR WITHDRAWN BY MYTEE AT ANY TIME WITHOUT NOTICE.

LIMITATION OF DAMAGES: THE REMEDY OF REPLACEMENT OR REPAIR OF ANY DEFECTIVE GOODS SHALL BE THE EXCLUSIVE REMEDY UNDER ANY WARRANTY MADE BY MYTEE, WHETHER EXPRESS OR IMPLIED. IN NO EVENT SHALL MYTEE BE LIABLE FOR ANY INCIDENTAL OR CONSEQUENTIAL DAMAGES, PROPERTY DAMAGES, OR PERSONAL INJURIES.

All limited warranties are void for, and Mytee does not warrant in any way, any product that evidences misapplication, improper installation, abuse, lack of maintenance, negligence in use or care, abnormal use, alteration of design, modification, use of incompatible or corrosive chemicals, use in a rental service, and/or servicing, installation of parts, or repairs by anyone other than Mytee or a Mytee authorized distributor or service center. Mytee may make changes in products it manufactures and markets at any time; these changes are made without obligation to change, retrofit, or upgrade any product previously sold or manufactured.

Mytee has no obligation to honor the limited warranties set forth herein unless the original purchaser, promptly upon discovering the warranty claim and prior to continuing to use the product, contacts Mytee or a Mytee authorized distributor or service center to describe the claim and to receive and follow instructions for documenting and resolving the claim. In addition, the purchaser must provide the product to which the claim applies to Mytee or a Mytee authorized distributor or service center for a thorough inspection. In addition, the purchaser must provide/return the product intact, unmodified, with all of its original parts.

If any provision or portion of this limited warranty policy is found to be unenforceable, then the remaining provisions and portions shall remain valid and enforceable.

If any provision or portion of this limited warranty policy is found to be limited by law, then that provision or portion shall be construed to make it effective within the bounds of law. For example, if there are legal limitations on the duration of warranties, the warranties made herein shall be construed to have the minimum duration required by law, or, if there are legal limitations of exclusion of remedies, the exclusions made herein shall be construed to apply to the fullest extent possible without violating the law.

The validity, construction and performance of this warranty policy shall be governed by the laws of the State of California, without respect to conflicts of laws principles.

The exclusive jurisdiction of any legal action arising from or related to this warranty policy shall be in the State of California and no legal action shall be commenced elsewhere.

Return Material Authorization Procedure

It is the responsibility of any Authorized Service Center (ASC) or Distributor with written authorization to ensure the Customer's equipment is repaired as soon as possible. Only Mytee Products Inc. or its authorized dealers with written authorization, service centers, and agents may make warranty repairs on these products. All others do so at their own risk and expense.

The Distributor must follow Mytee Products, Inc. standard RMA procedure:

1. When a repair falls within the Warranty time period for a piece of equipment, the Distributor will fill out a RMA/Warranty claim form. This form will act as a repair order to replace any defective parts.
2. All defective parts must be returned to Mytee Products, Inc. with the RMA/claim form for evaluation at the customer's expense. This shipping is non-refundable. All warranty claims are subject to an evaluation by Mytee Products, Inc. to determine if warranty will be approved. Any credit for repair and/or parts will only be issued upon evaluation and approval from Mytee Products, Inc.
3. When Warranty is approved, the Distributor's account will be credited for the replacement part(s). Mytee Products, Inc. will ship the warranted replacement part(s) to the Distributor prepaid. If Warranty is denied the Distributor's account will not be credited for any parts sent for this claim.

7303 AIRHOG™ PARTS & PRICING

ITEM NO.	PART NO.	DESCRIPTION	QTY.	MSRP
1	H135	Cuff-Lynx, 2" m cuff x 2" mpt	1	\$3.99 ea
2	P561	cap, 6", threaded, w/2" npt	1	\$23.99 ea
3	G031	gasket, 3.25" id. x 5.88" o.d.	2	\$6.99 ea
4	H359	basket, strainer, 4.5 DIA x 12.5	1	\$36.99 ea
5	P563	filter, body, inline, w/2" npt	1	\$34.99 ea
6	G075	gasket, vacuum, mil l	1	\$7.99 ea
7	H230	screw, 10-32 x 1/2" phil pan head, s/s	19	\$0.99 ea
8	G055	tether, cap, 6 1/2"	1	\$12.99 ea
9	P560	cap, 6" threaded	1	\$23.99 ea
10	H158	Washer #10 flat, s/s	4	\$0.99 ea
11	H158	bracket, filter, fastening, vac booster	1	\$5.99 ea
12	P684	adaptor, pvc 2, fmsl x fms	1	\$6.99 ea
13	H124	Cuff-Lynx, 2" mpt x 2" female cuff	2	\$3.99 ea
14	H121	cuff-lynx, 2" plug	2	\$3.99 ea
15	P973	vac tank, booster, ml style	1	\$104.99 ea
16	H333	mesh filter, auto dump, 1/2" npt	1	\$12.99 ea
17	B210	bushing, brass, 1/2" mpt x 3/8" fpt, hex	1	\$2.49 ea
18	H299	washer, 1 1/16" id x 1-1/2" od x .075, s/s	4	\$0.99 ea
19	B216	nipple, brass, 3/8" x close	1	\$1.99 ea
20	B236	elbow, brass, 90 deg, 1/2" barb x 3/8" fpt	1	\$14.49 ea
21	P755	elbow, U, 180, 1-1/2", float	1	\$8.99 ea
22	H297	screw, 8 x 1/2", hex head, zinc	3	\$0.99 ea
23	H235	float, 1.5", ball style	1	\$19.99 ea
24	P520	adaptor, pvc, 1-1/2" mpt x 1-1/2" fms	1	\$2.99 ea
25	H314	nut, lock, 1-1/2", steel	1	\$1.99 ea
26	G004	gasket, vac motor - Speedster	2	\$8.99 ea
27	C302A	vac motor, 3-stage hp, 120V, 145"	1	\$148.99 ea
28	H210	washer, 1/4" flat, s/s	13	\$0.99 ea
29	H096	bolt 1/4-20 x 4, s/s	3	\$0.99 ea
30	H343	screw, #10 x 5/8" hex head, zinc	4	\$0.99 ea
31	H296	guard, cooling fan, wire	1	\$2.99 ea
32	G059	exhaust boot, plastisol	1	\$4.99 ea
33	H217	clamp, hose, 2-1/4 dia	1	\$1.49 ea
34	H316	bolt, 1/4x1-1/2", hex head, zinc	2	\$0.99 ea
35	H216	nut, lock, 1/4-20, nylon insert, s/s	2	\$0.99 ea
36	H379	bracket, front, small	1	\$3.99 ea
37	H213	washer, 1/4" lock, s/s	2	\$0.99 ea
38	H201	bolt, 1/4-20 x 1/2", hex head, zinc	2	\$0.99 ea
39	B221	plug, brass, 3/4", garden hose	1	13.99 ea
40	B204	qd, 3/4" female x female garden hose	1	\$9.99 ea
41	B205B	QD, 1/2" npt x 3/4" mgh, pump-out	1	\$3.99 ea
42	B271	bushing, hex, 3/8" mpt x 1/2" fpt	1	\$6.99 ea
43	H681	caster, 2", black hub, gray tread	2	\$8.99 ea
44	H273	nut, kep, #10-32 zinc	14	\$0.99 ea
45	H228	axle, 13.25" x 50" dia	1	\$9.99 ea
46	H254	washer, axle, cut 1/2" id	4	\$0.99 ea
47	H279	wheel, 6"	2	\$25.99 ea
48	H219	cap, axle, 1/2"	2	\$0.99 ea
49	H636	plate, switch, 8070, hps60, 7300	1	\$6.99 ea

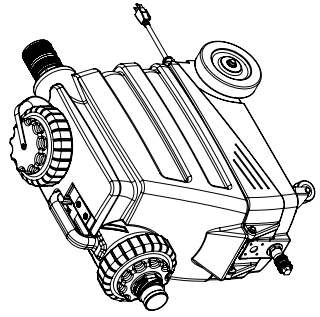
ITEM NO.	PART NO.	DESCRIPTION	QTY.	MSRP
50	H221	nut, lock, 1/2" steel	1	\$1.99 ea
51	H220	fitting, strain relief, cord	1	\$3.19 ea
52	E532	power cord, end, .25", 14/3	1	\$44.99 ea
53	E515	switch, rocker, 2 position	2	\$13.99 ea
54	H389	screw, 10-32 x 1/2" 5HCS, alloy	1	\$0.99 ea
55	H612	washer, #8, flat, s/s	1	\$0.99 ea
56	H770	bolt, 1/4-20 x 1/2" serrated hex flange, zinc	1	\$0.99 ea
57	H904	bracket, L, MLII/tracker	1	\$21.99 ea
58	P788	base, mytee lite II	1	\$76.99 ea
59	B270	coupling, 3/4" fpt x 1/2" fpt	1	\$14.99 ea
60	B132	adapter, brass, 1/2" barb x 1/2" mpt	1	\$9.49 ea
61	H347	clamp, hose, 5/16-29/32	8	\$1.99 ea
62	H222	screw, 10-32 x 1-1/4" phil pan head, s/s	4	\$0.99 ea
63	PH615-4	sol hose, 1/2" kurf 100psi	1	\$8.99/ft
64	C381	pump out, 115v	1	\$187.49 ea
65	PH615-31	sol hose, 1/2" kurf 100psi	1	\$8.99/ft

230VOLT VERSION

ITEM NO.	PART NO.	DESCRIPTION	QTY.	MSRP
28	C304	vac motor, 3 stage, 230v, tangential	1	\$199.99 ea
69	C381A	pump out, 3.3 GPM, 1/10 HP, 230v	1	\$262.99 ea

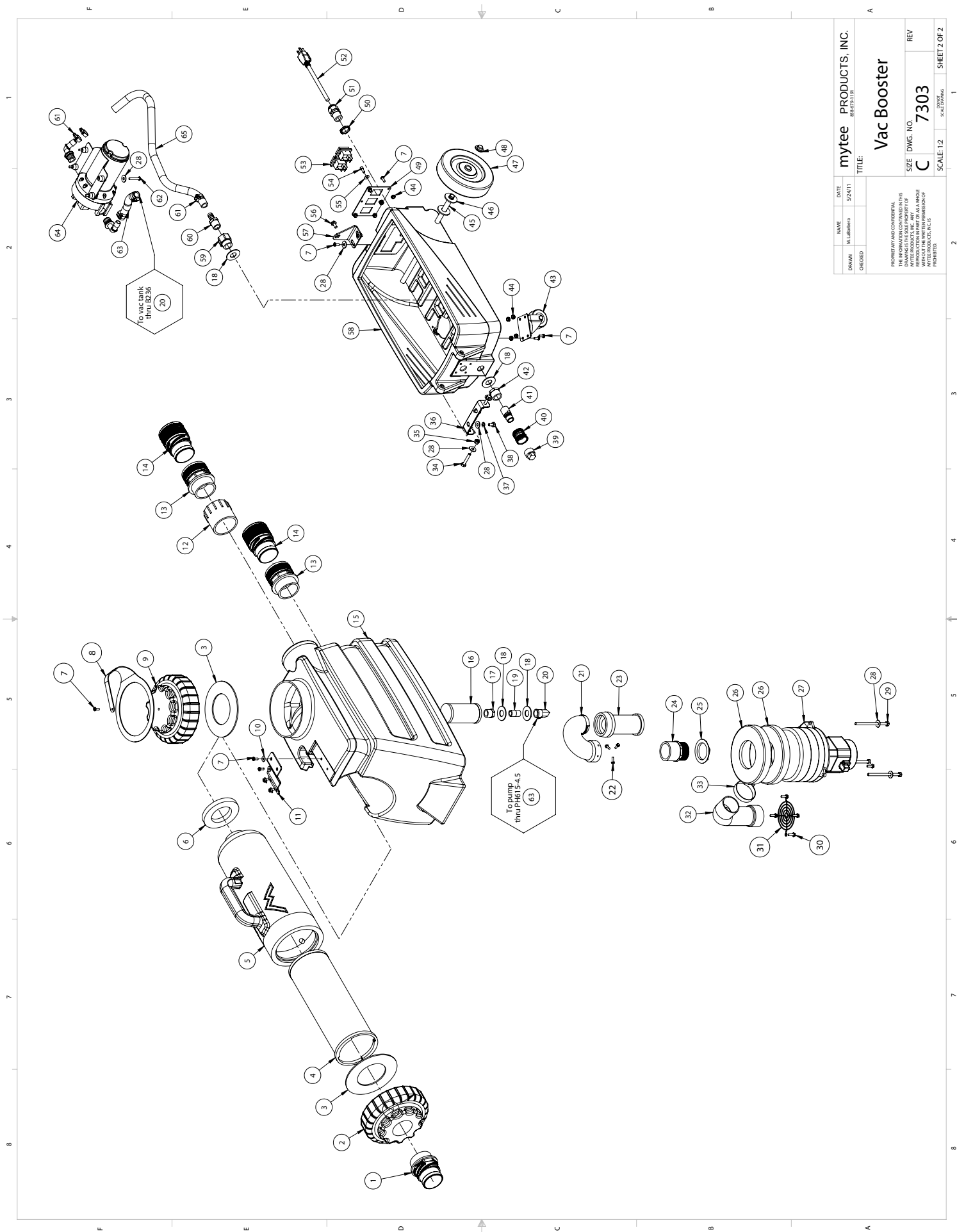
ITEMS NOT SHOWN

PART NO.	DESCRIPTION	QTY.	MSRP
G008	nylon filter	1	\$0.99 ea
G076	filter bag, 3.5" metal O-ring, mesh bag	1	\$4.99 ea
H110	cuff-lynx, 2" hose x 2" fem swivel cuff-lynx	1	\$3.99 ea
H141	Cuff-Lynx, 2" to 1.5" reducer	1	\$3.99 ea
H136	Cuff-Lynx, 2" hose x 2" male swivel cuff-lynx	1	\$3.99 ea
AD127	stop sign, register your product	1	
ADM-7303	manual, vacuum booster	1	



NAME	DATE	mytee PRODUCTS, INC.
MLL/Labeler	5/24/11	888-693-1101
CHECKED		TITLE:
Vac Booster		
SIZE	DWG. NO.	REV
C	7303	
SCALE: 1:2	DATE: 05/20/2016	SHEET 1 OF 2

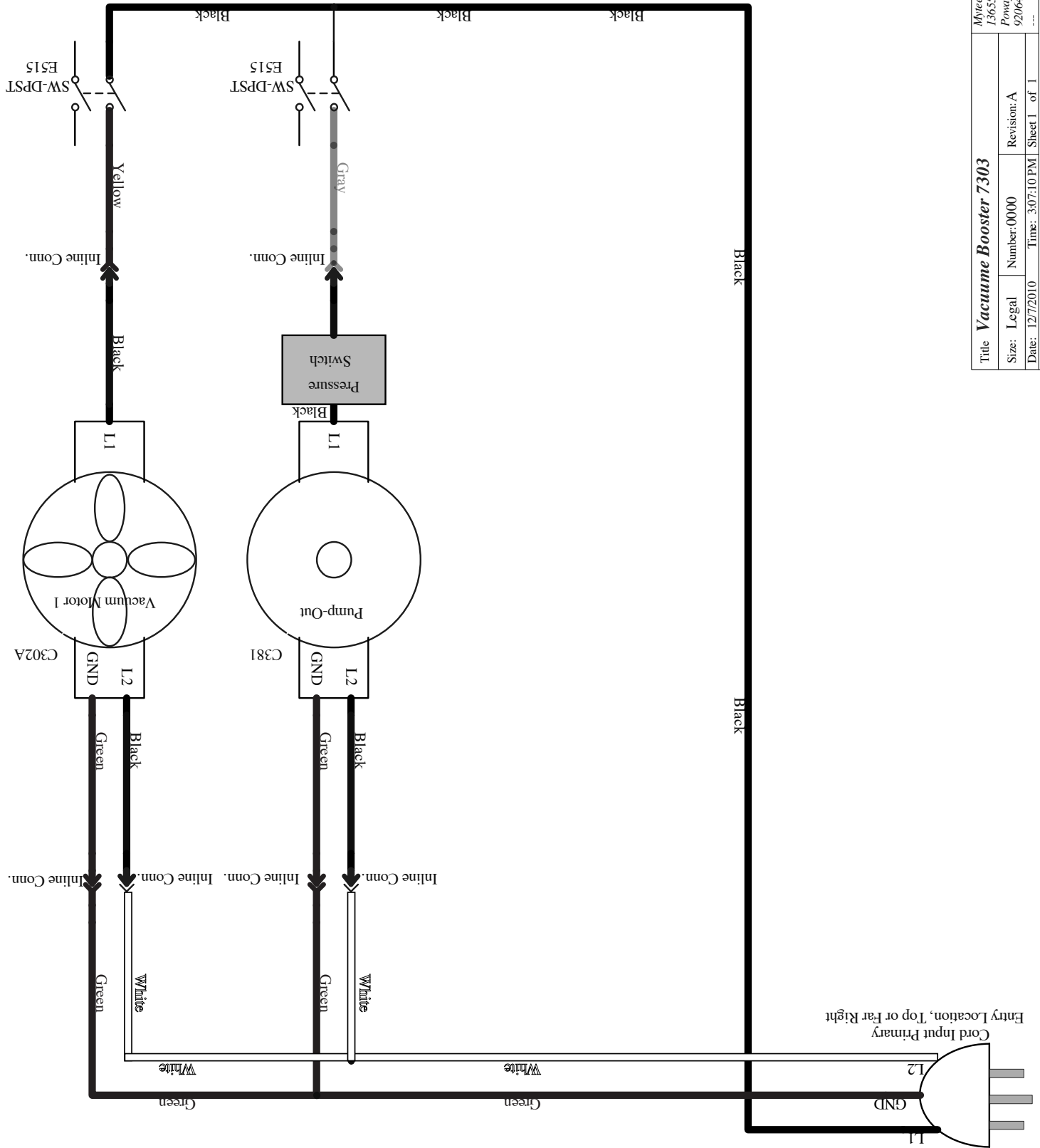
PROPERTY AND CONFIDENTIALITY NOTICE: THESE DRAWINGS ARE THE SOLE PROPERTY OF MYTEE PRODUCTS, INC. ANY REPRODUCTION IN ANY FORM OR BY ANY MEANS WITHOUT THE EXPRESS WRITTEN PERMISSION OF MYTEE PRODUCTS, INC. IS PROHIBITED.



NAME	DATE	mytee	PRODUCTS, INC.
DRAWN	BY	M. Liberman	8885931176
CHECKED			
TITLE: Vac Booster			
SIZE	DWG. NO.	REV	
C	7303		
SCALE: 1:2	SCALE: 1:2	SHEET 2 OF 2	

FOR THE PARTS AND PRICING INFORMATION, PLEASE CONTACT MYTEE PRODUCTS, INC. AT 888-593-1176. THE INFORMATION CONTAINED IN THIS DRAWING IS THE SOLE PROPERTY OF MYTEE PRODUCTS, INC. AND IS TO BE USED FOR REPRODUCTION IN PART OR AS A WHOLE WITHOUT THE WRITTEN PERMISSION OF MYTEE PRODUCTS, INC. IS PROHIBITED.

7303 AIRHOG™ WIRING DIAGRAM



Title **Vacuum Booster 7303**

Mytee Products
13655 Stowe Dr.
Poway, CA
92104

Size: Legal Number: 0000 Revision: A

Date: 12/7/2010 Time: 3:07:10 PM Sheet 1 of 1

File: C:\Comments\CHVD\Drawings\Misc_Schematics\7303\7303_Schematic_SCHDOC

NOTES

NOTES



Mytee Products Inc.
13655 Stowe Dr.
Poway, Ca. 92064
www.mytee.com
© 2013 Mytee Products Inc.
Printed in the U.S.A.